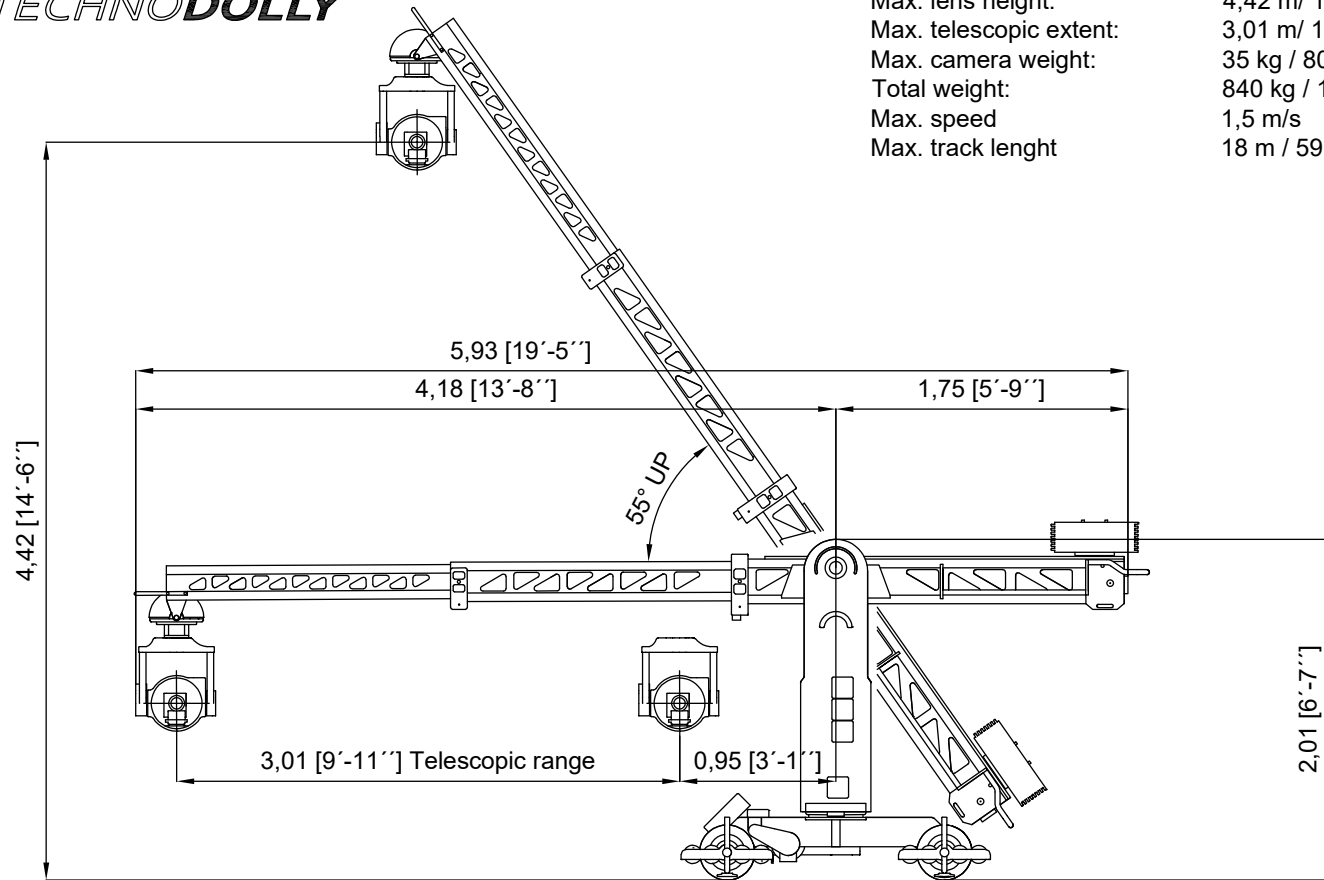


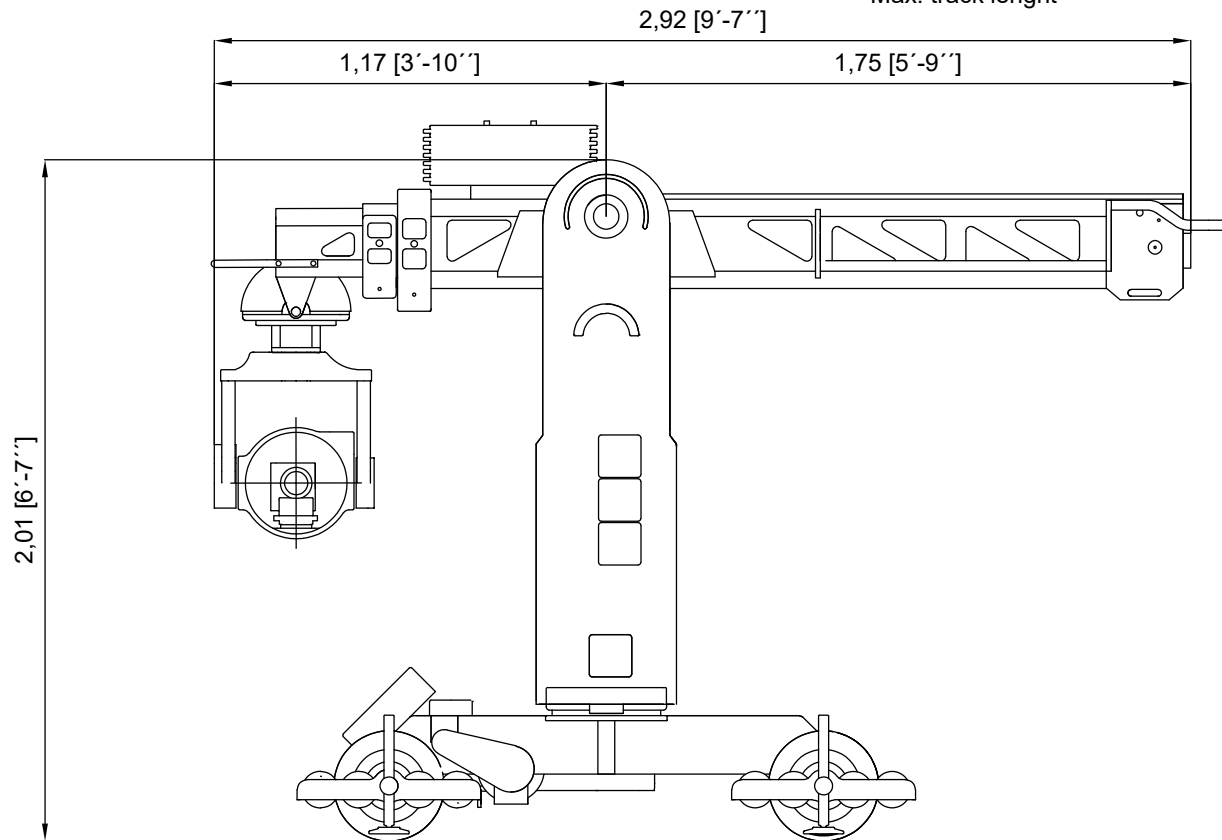
# TECHNODOLLY

Max. lens height:	4,42 m / 15 ft.
Max. telescopic extent:	3,01 m / 10 ft.
Max. camera weight:	35 kg / 80 lb
Total weight:	840 kg / 1850 lb
Max. speed:	1,5 m/s
Max. track length:	18 m / 59 ft.



# TECHNODOLLY

Max. lens height:	4,42 m / 15 ft.
Max. telescopic extent:	3,01 m / 10 ft.
Max. camera weight:	35 kg / 80 lb
Total weight:	840 kg / 1850 lb
Max. speed	1,5 m/s
Max. track length	18 m / 59 ft.



# TECHNODOLLY

Max. lens height:	4,42 m / 15 ft.
Max. telescopic extent:	3,01 m / 10 ft.
Max. camera weight:	35 kg / 80 lb
Total weight:	840 kg / 1850 lb
Max. speed	1,5 m/s
Max. track length	18 m / 59 ft.

